

**bimmerfest**

Bringing the BMW community together

AUTO SPIES



The all-new 2007  
BMW X5 SAV

X5 3.0si  
X5 4.8i



The Ultimate  
Driving Machine®



## X5 SAV Product Ordering Guide

Confidential information for use by authorized BMW centers.  
Please note: Images shown are low resolution. Due to color printer capabilities, colors shown may not print out accurately. Vehicle images in this Product Ordering Guide may not be U.S. spec.

X5 4.8i is shown with optional running boards, Sport Package, and optional wheel style 214.

## AUTO SPIES



## We've expanded on a great idea.

Introducing the second generation of the first in its class: the 2007 BMW X5. Redesigned to offer more of everything that made the original BMW X5 so popular, the new X5 is longer and wider, with increased cabin space and an optional third-row seat. New, more powerful V-8 and six-cylinder engines offer excellent performance. A broad complement of innovative features and active safety technologies include Dynamic Stability Control with Brake Drying, Brake Stand-by and other enhancements, as well as Adaptive Drive system (included in Sport Package) and optional Head-up Display. The X5 for 2007: a perfect balance of everything that matters in BMW's flagship Sports Activity Vehicle.

X5 4.8i is shown with optional running boards, Sport Package, and optional wheel style 214.

## Universal appeal with a style all its own.

AUTO SPIES



The 2007 X5 gets a bold, new look to match its dynamic personality. The X5 has a wider, sportier stance than its predecessor; the “face” and the power dome are more aggressively styled. Xenon Adaptive Headlights with Corona light-rings are standard. Five sporty light-alloy wheel designs allow personalized styling. Shadowline trim (included in Sport Package) updates the look of the front and rear windows. Standard exhaust tips come in either chrome (on the X5

4.8i) or stainless steel (on the 3.0si). The exterior door and tailgate handles on both models are painted to match the body, which is finished in one of nine stunning colors, including Platinum Bronze (start of production December 2006), Deep Green or Monaco Blue. And optional running boards provide an eye-catching and easy way for passengers to get into or out of this impressive SAV.

X5 4.8i is shown with optional running boards, Sport Package, and optional wheel style 214.



## Class-leading comfort meets the lap of luxury.



The X5 offers many ways to create a luxurious interior, with available Nevada and Napa Leather upholsteries in a range of colors, as well as a choice of elegant trims: Dark Burl Walnut, Light Poplar, and Dark Bamboo Wood; and Graphite. There's even a choice of options for front seats, such as the Active Ventilated Seat Package that offers 20-way multi-contour adjustments, warming or cooling ventilation, and driver's-side massage function; or 10-way power front sport seats

with manual thigh adjustment and memory system for the driver's seat, included with the Sport Package. Select the standard MP3-ready, 12-speaker sound system, or upgrade to the premium 16-speaker system, for powerful audio clarity. HD Radio™ and SIRIUS Satellite Radio options add to the listening pleasure. And overhead, an optional Panoramic moonroof with two oversized glass panels – one slides, both tilt – makes it easy for all passengers to enjoy the view.





## Row, row, row: the new X5 merrily accommodates up to seven comfortably.

Big news for backseat passengers: the all-new 2007 X5 now offers an optional third-row seat,<sup>1</sup> so seven people can enjoy the X5's luxurious comfort and thrilling performance. Additionally, when equipped with the optional third-row seat, the second-row seatbacks can recline. Front-seat and second-row passengers can enjoy the customizable comfort of optional heated seats and four-zone climate control. And rear-seat passengers can enjoy an optional rear-seat entertainment feature that includes a fold-down 8-inch color screen, a six-CD/DVD Multimedia Changer, a pair of wireless headphones, and headphone jacks.

<sup>1</sup> Third-row seat is upholstered in Nevada Leather regardless of primary upholstery selected.





## More room for everything. Except improvement.

The 2007 X5 makes the most of its functional storage capacity, both inside and out. With plenty of usable interior space, groceries and cargo are stowed with ease. Tracks in the cargo area (included in the Premium Package) allow larger items to be lashed down. Bicycles, skis and oversized gear are easily hauled via the integrated roof rack, using BMW load-carrying accessories. And an automatic tailgate (available spring 2007) gives easy access to the X5's cargo area, opening or closing the upper tailgate with the touch of a button.



European interior shown.

## Optional packages to make it personal.

A broad range of packages makes it even easier to customize the X5. The Premium Package wraps the X5 3.0si interior in Nevada Leather and Wood trim, a Panoramic moonroof, auto-dimming side- and rear-view mirrors with built-in digital compass, and BMW Assist™ with Bluetooth wireless technology. The Technology Package combines the on-board DVD-based navigation system, Park Distance Control, and the new rear-view camera, plus Voice Activation that controls

navigation, the audio system, and hands-free phone calls. The Sport Package adds 10-way power front sport seats and larger wheels and tires, while enhancing handling and driving performance with Adaptive Drive technology. The Cold Weather Package keeps you warm with a heated steering wheel, three-stage heated front seats, and retractable, high-intensity headlight washers. The Active Ventilated Seat Package boasts 20-way multi-contour front seats, with active

function and ventilation.<sup>1</sup> The Rear Climate Package offers back seat passengers four-zone climate control, plus privacy glass that reduces glare and interior heat. And the Premium Sound Package includes a high-fidelity 16-speaker sound system with Digital Sound Processing and a digital 9-channel amplifier for greater musical enjoyment.

<sup>1</sup> Requires optional Nevada Leather/Perforated upholstery, and must be ordered with Cold Weather Package or optional heated front seats. Not available with Leatherette.



## Two engines, 35 more horses, better performance.

Both the 4.8-liter V-8 and the 3.0-liter inline six-cylinder engine models continue the X5's tradition of superior performance on the road. The V-8 engine's 350 horses and 350 lb-ft of torque catapult the X5 4.8i from 0-60 in 6.4 seconds.<sup>1</sup> The six-cylinder fires up 260 horsepower and 225 lb-ft of torque, to propel the X5 3.0si to 60 in only 7.8 seconds.<sup>1</sup> Both engines come equipped with BMW's STEPTRONIC 6-speed automatic transmission, now enhanced with new E-shift technology for faster and more accurate shifting.

<sup>1</sup> BMW AG test results. Obey local speed laws, and always wear safety belts.

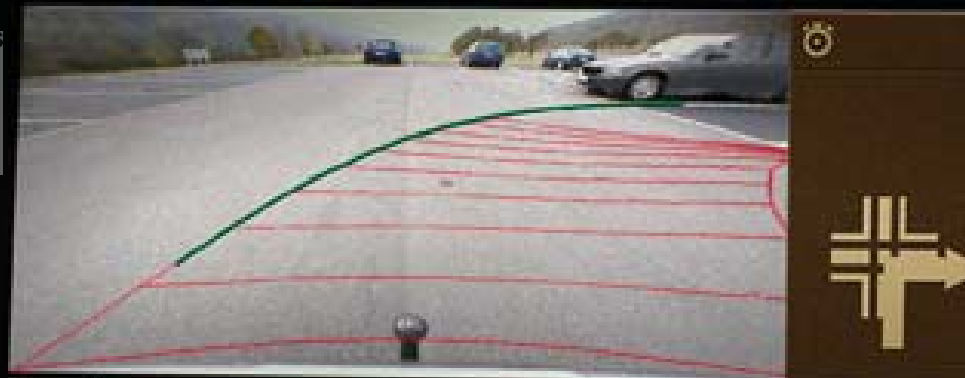




## Innovative features to help master the road.

Dynamic Stability Control (DSC) in the all-new 2007 X5 now includes BMW's brake-optimizing features – Brake Drying, Brake Stand-by and Brake Fade Compensation. And Dynamic Cruise Control, standard, automatically applies the brakes on gentle slopes to keep the vehicle at a constant speed.

Adaptive Drive (included in the Sport Package) combines Active Roll Stabilization and Electronic Dampening Control, to help keep the X5 level in the tightest of turns, and comfortable on different road surfaces. Optional Active Steering intelligently adjusts the steering ratio based on vehicle speed.



≡ A BAYERN 3 TP TMC 21:50

## The new X5: always on the driver's side.

A host of additional safety and convenience options are available on the X5 to bolster performance – and confidence – behind the wheel. The ingenious, new Cornering Lights feature, integrated into the foglight housing, is activated when the turn signal is engaged. Based on steering angle and speed, reflectors then cast additional lighting up to 90 degrees, providing added illumination in the direction of the turn. The Comfort Access

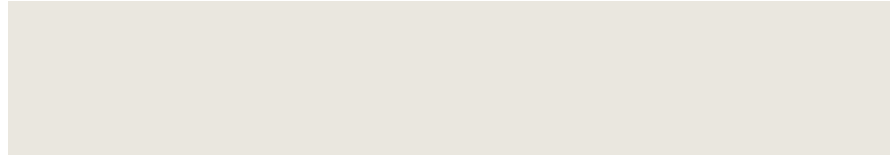
option allows keyless entry to the X5. The optional Technology Package includes a rear-view camera that offers a clear view of what's behind the vehicle; computer-generated guidelines shown on the navigation screen help maneuver when parking. And the optional Head-up Display, now height-adjustable, projects vital driving information – such as speed and rpm – easily within the driver's line of sight.

# X5 SAV Exterior Colors

AUTO SPIES



## Non-metallic paints



300 Alpine White<sup>1</sup>



668 Jet Black<sup>1</sup>

## Metallic paints



354 Titanium Silver



A53 Platinum Bronze<sup>1</sup>



A52 Space Gray



A70 Mineral Green<sup>2</sup>



A43 Deep Green



A35 Monaco Blue



475 Black Sapphire

All paint colors are standard on the X5 4.8i and X5 3.0si.

<sup>1</sup> Start of production December 2006.

<sup>2</sup> Start of production spring 2007.

# X5 SAV Upholstery Colors

AUTO SPIES



## Leatherette upholsteries



KCB4 Sand Beige<sup>2,3</sup>

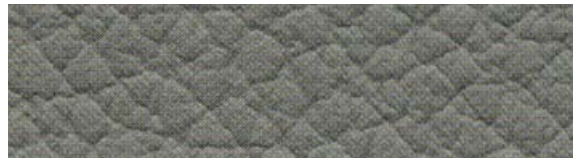


KCSW Black<sup>3</sup>

## Leather upholsteries



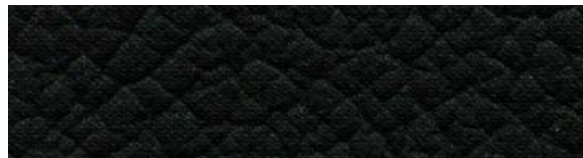
LUB4 Sand Beige Nevada Leather<sup>4</sup>



LUAD Gray Nevada Leather<sup>4</sup>



LUF1 Tobacco Nevada Leather<sup>1,4</sup>



LUSW Black Nevada Leather<sup>4</sup>



NAB4 Sand Beige Napa Leather<sup>2,6</sup>



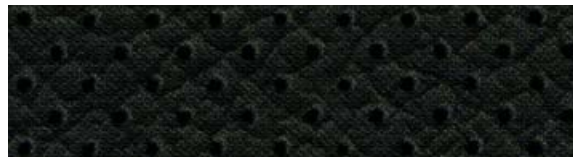
NAF1 Tobacco Napa Leather<sup>1,6</sup>



NASW Black Napa Leather<sup>2,6</sup>



LVB4 Sand Beige Nevada Leather/Perforated<sup>5</sup>



LVSW Black Nevada Leather/Perforated<sup>5</sup>

<sup>1</sup> Start of production December 2006.

<sup>2</sup> Start of production spring 2007.

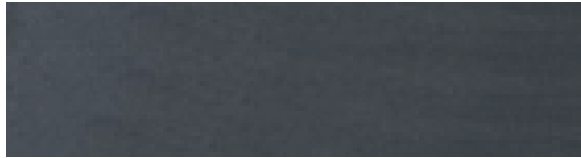
<sup>3</sup> Standard in X5 3.0si; not available in X5 4.8i.

<sup>4</sup> Standard in X5 4.8i; optional in X5 3.0si, and included in Premium Package.

<sup>5</sup> Perforated Leather must be ordered with optional Active Ventilated Seat Package. No-cost option in X5 4.8i; in X5 3.0si, available as an option, and as a no-cost option with Premium Package.

<sup>6</sup> Optional in X5 4.8i and X5 3.0si.

## X5 SAV Interior Trims



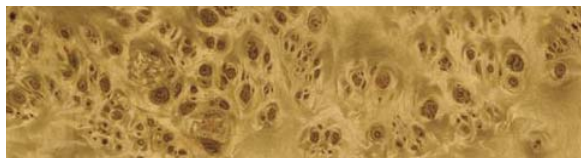
Graphite<sup>1</sup>



4AB Dark Burl Walnut Wood<sup>2</sup>



4AZ Dark Bamboo Wood<sup>3</sup>



4BP Light Poplar Wood<sup>3</sup>

<sup>1</sup> Standard in X5 3.0si; not available in X5 4.8i.

<sup>2</sup> Standard in X5 4.8i; optional in X5 3.0si, and included in Premium Package.

<sup>3</sup> No-cost option in X5 4.8i; in X5 3.0si, available as an option, and as a no-cost option with Premium Package.



## X5 SAV Color Combinations

AUTO SPIES



Interior colors	Leatherette		Nevada Leather				Nevada Leather/Perforated		Napa Leather		
Upholstery colors	Sand Beige <sup>2,3</sup>	Black <sup>3</sup>	Sand Beige <sup>4</sup>	Gray <sup>4</sup>	Tobacco <sup>1,4</sup>	Black <sup>4</sup>	Sand Beige <sup>5</sup>	Black <sup>5</sup>	Sand Beige <sup>2,6</sup>	Tobacco <sup>1,6</sup>	Black <sup>2,6</sup>
<b>Exterior colors</b>											
Non-metallic 300 Alpine White <sup>1</sup>		•	•	•	•	•	•	•	•	•	•
Non-metallic 668 Jet Black <sup>1</sup>		•	•	•	•	•	•	•	•	•	•
Metallic 354 Titanium Silver		•	•	•	•	•	•	•	•	•	•
Metallic A53 Platinum Bronze <sup>1</sup>		•	•	•	•	•	•	•	•	•	•
Metallic A52 Space Gray		•	•	•	•	•	•	•	•	•	•
Metallic A70 Mineral Green <sup>2</sup>		•	•	•	•	•	•	•	•	•	•
Metallic A43 Deep Green		•	•	•	•	•	•	•	•	•	•
Metallic A35 Monaco Blue		•	•	•	•	•	•	•	•	•	•
Metallic 475 Black Sapphire		•	•	•	•	•	•	•	•	•	•
<b>Interior Trim</b>											
Graphite <sup>7</sup>											
4AB Dark Burl Walnut Wood <sup>8</sup>											
4BP Light Poplar Wood <sup>9</sup>											
4AZ Dark Bamboo Wood <sup>9</sup>											

All paint colors are standard on the X5 4.8i and X5 3.0si.

<sup>1</sup> Start of production December 2006.

<sup>2</sup> Start of production spring 2007.

<sup>3</sup> Standard in X5 3.0si; not available in X5 4.8i.

<sup>4</sup> Standard in X5 4.8i; optional in X5 3.0si, and included in X5 3.0si Premium Package.

<sup>5</sup> Perforated Leather must be ordered with optional Active Ventilated Seat Package. No-cost option in X5 4.8i; optional in X5 3.0si, and no-cost option if Premium Package is ordered.

<sup>6</sup> Optional in X5 4.8i and X5 3.0si.

<sup>7</sup> Standard in X5 3.0si; not available in X5 4.8i.

<sup>8</sup> Standard in X5 4.8i; optional in X5 3.0si, and included in Premium Package.

<sup>9</sup> No-cost option in X5 4.8i; in X5 3.0si, available as an option, and as a no-cost option with Premium Package.

## Standard/Optional Equipment

### AUTO SPIES



Performance and efficiency	3.0si	4.8i
3.0-liter dual overhead cam (DOHC), 24-valve inline 260-horsepower 6-cylinder engine with composite magnesium/aluminum engine block, Valvetronic, and Double-VANOS steplessly variable valve timing	●	
4.8-liter, 350-hp 32-valve V-8 engine, 4 overhead camshafts, Valvetronic, and Double-VANOS 2-step variable intake manifold		●
6-speed electronically controlled automatic transmission with Adaptive Transmission Control and STEPTRONIC gear selection, including Sport mode	●	●

Handling, ride and braking	3.0si	4.8i
xDrive all-wheel-drive system	●	●
Dynamic Stability Control (DSC), including Brake Fade Compensation, Start-off Assistant, Brake Drying, and Brake Stand-by features, with Dynamic Traction Control (DTC), and Dynamic Brake Control	●	●
Hill Descent Control (HDC)	●	●
Double wishbone front suspension	●	●
Lightweight multi-link integral rear suspension	●	●
Engine-speed-sensitive power steering	●	●
4-wheel anti-lock ventilated disc brakes; electronic front/rear proportioning	●	●
Active Steering with Servotronic power assist <sup>1</sup>	○	○
Adaptive Drive: includes Active Roll Stabilization and Electronic Dampening Control	□	□

Instrumentation and controls	3.0si	4.8i
Dynamic cruise control	●	●
Service Interval Indicator and Check Control vehicle monitor	●	●
Electronic analog instrumentation with LED illumination	●	●
Outside-temperature display	●	●
On-board computer	●	●
On-board DVD-based navigation system with Voice Activation and Real Time Traffic Information	○/■	○/■
Time-delay courtesy lights with actuation from driver's exterior door handle or remote control; automatic switch-on when engine is turned off	●	●
Head-up Display (HUD) <sup>2</sup>	○	○
Rear-view camera	■	■
Rear-window defroster	●	●
BMW Universal transceiver (garage-door opener)	◇	◇
Tire pressure monitor	●	●

- Standard
- Optional
- Included in Sport Package
- Included in Technology Package
- ◇ Included in Premium Package
- ★ Included in Cold Weather Package
- △ Included in Premium Sound Package

<sup>1</sup> Requires Sport Package.

<sup>2</sup> On-board navigation system required; green band windshield not available with Head-up Display.



## Standard/Optional Equipment

### AUTO SPIES



Exterior	3.0si	4.8i	Audio system	3.0si	4.8i
18 x 8.5 Star Spoke (Style 210) light-alloy wheels, and 255/55R-18 run-flat all-season tires	●		Anti-theft AM/FM stereo CD radio with Radio Data System (RDS), MP3 capabilities, and 3-channel FM diversity antenna system	●	●
18 x 8.5 Star Spoke (Style 209) light-alloy wheels, and 255/55R-18 run-flat all-season tires		●	High-fidelity 12-speaker sound system includes 2 subwoofers under the front seats and digital 7-channel amplifier with 205 watts of power	●	●
19 x 9.0 Star Spoke (Style 212) light-alloy wheels, and 255/55R-19 run-flat all-season tires	□		Premium high-fidelity 16-speaker sound system with Digital Sound Processing (DSP), 2 subwoofers under the front seats and digital 9-channel amplifier with 600 watts of power	△	△
19 x 9.0 Y Spoke (Style 211) light-alloy wheels, and 255/55R-19 run-flat all-season tires		□	Pre-wiring for trailer hitch and satellite radio	●	●
20 x 10.0 front / 20 x 11.0 rear Y Spoke (Style 214) light-alloy wheels, and 275/40R-20 front, 315/35R-20 rear run-flat performance tires <sup>1</sup>		○ <sup>2</sup>	6-disc CD changer with MP3 capabilities	△	△
Space saver spare tire <sup>3</sup>	●	●	SIRIUS Satellite Radio	○	○
Xenon Adaptive Headlights with auto-leveling	●	●	Rear-seat entertainment	○	○
Halogen free-form foglights with Cornering Lights function	●	●	High Definition Radio (HD Radio™) <sup>4</sup>	○	○
Retractable, high-intensity headlight washers	★	★			
Dual power outside mirrors	●	●			
Intermittent rain-sensing windshield wipers with adjustable and vehicle-speed-sensitive wiping interval, single-wipe control, windshield-washer system with heated washer jets	●	●			
Rear-window wiper/washer with adjustable wiping interval	●	●			
Roof rails (accommodate various BMW roof carrier systems)	●	●			
Stainless steel exhaust tips	●				
Chrome exhaust tips		●			
Shadowline trim	□	□			
Metallic paint	●	●			
Body-color exterior door and tailgate handles	●	●			
Running boards	○	○			

- Standard
- Optional
- Included in Sport Package
- Included in Technology Package
- ◇ Included in Premium Package
- ★ Included in Cold Weather Package
- △ Included in Premium Sound Package

<sup>1</sup> Due to low profile tires, please note: wheels, tires, and suspension parts are more susceptible to road hazard and consequential damage. Performance tires not recommended for driving in snow and ice conditions.

<sup>2</sup> Requires Sport Package.

<sup>3</sup> Not available with optional 3rd-row seat.

<sup>4</sup> Availability delayed until spring 2007 production.



Style 209



Style 210



Style 211



Style 212



Style 214



## Standard/Optional Equipment

AUTO SPIES



Interior	3.0si	4.8i		3.0si	4.8i
10-way power driver's and front passenger's seat and memory system for driver's seat, steering wheel and outside mirrors	●	●		●	●
10-way power front sport seats with 2-way manual thigh support adjustment, and memory system for driver's seat, steering wheel and outside mirrors	□	□		○	○
Lumbar support	◇	◇		●	
20-way power multi-contour front seats <sup>1</sup> – include standard 10-way power seat functions, plus additional power adjustment functions for shoulder and thigh support, backrest width and lumbar support (contour and position), plus 2-way manual lateral adjustment for Comfort headrest	○/◆	○/◆		○/◇	●
3-stage heated front seats	○/★	○/★		○ <sup>5</sup>	○ <sup>7</sup>
Front-seat center console with armrest, storage compartment, and auxiliary input	●	●		○	○
Rear-seat center armrest	●	●		●	
Active seat for driver	◆	◆		○	○
Front ventilated seats (requires Nevada Leather/Perforated)	◆	◆		●	
Heated rear seats <sup>2</sup>	○	○		○/◇	●
			Split folding rear seats	○/◇ <sup>6</sup>	○ <sup>7</sup>
			3rd-row rear seat (not available with space saver spare tire) <sup>3</sup>	○/◇ <sup>6</sup>	○ <sup>7</sup>
			Leatherette upholstery <sup>4</sup>	○	○
			Nevada Leather	○	○
			Nevada Leather/Perforated upholstery <sup>5</sup>	●	
			Napa Leather upholstery	○	○
			Graphite interior trim	○	○
			Dark Burl Walnut Wood interior trim	●	
			Light Poplar Wood interior trim	○/◇	●
			Dark Bamboo Wood interior trim	○/◇ <sup>6</sup>	○ <sup>7</sup>
			Power tilt/telescopic leather-wrapped multi-function steering wheel	○/◇ <sup>6</sup>	○ <sup>7</sup>
			Power tilt/telescopic leather-wrapped multi-function sport steering wheel	●	●
			Anthraccite headliner	□	□
			Fully finished cargo area with velour carpeting	□	□
			Retractable cargo cover	●	●

- Standard
- Optional
- Included in Sport Package
- ◇ Included in Premium Package
- ◆ Included in Active Ventilated Seat Package (must be ordered with optional Nevada Leather/Perforated)
- ★ Included in Cold Weather Package
- Included in Technology Package
- ▲ Included in Rear Climate Package

<sup>1</sup> Not available in Leatherette.

<sup>2</sup> Must be ordered with Cold Weather Package or heated front seats; not available with Leatherette.

<sup>3</sup> 3rd-row seat upholstered in Nevada Leather, regardless of primary upholstery selected.

<sup>4</sup> Not available with Sport Package, Active Ventilated Seat Package, optional 20-way multi-contour seats, or optional heated rear seats.

<sup>5</sup> Must be ordered with Active Ventilated Seat Package.

<sup>6</sup> No-cost option if Premium Package is ordered.

<sup>7</sup> No-cost option.



## Standard/Optional Equipment

AUTO SPIES



### Comfort and convenience

	3.0si	4.8i
Vehicle & Key Memory	●	●
Panoramic moonroof with two-piece glass panels, power slide and lift control, wind deflector and electric interior sunshade	○/◇	○/◇
Power windows with key-off operation; "one-touch" opening and closing of all door windows, anti-trapping feature	●	●
Automatic front climate control with separate left/right temperature settings, automatic air conditioning and recirculation control	●	●
4-zone climate control with 4 individual temperature settings	▲	▲
Active-charcoal micro-filter ventilation	●	●
Heated steering wheel	★	★
Comfort Access keyless entry	○	○
Park Distance Control (front and rear)	○/■	○/■
Dual cupholders front and rear	●	●
Dual front sun visors with illuminated mirrors	●	●
Floor tracks in rear cargo area	◇	◇
Automatic tilt-down of right outside mirror for visibility of curb when backing up	●	●
Automatic-dimming rear-view mirror with digital-readout compass and automatic-dimming, power-folding side-view mirrors	◇	◇
Privacy glass in rear windows	▲	▲
Rear manual side-window sunshades	▲	▲
Ski bag	★	★
Automatic tailgate opening/closing <sup>1</sup>	○	○

- Standard
- Optional
- Included in Sport Package
- ◇ Included in Premium Package
- ◆ Included in Active Ventilated Seat Package  
(must be ordered with optional Nevada Leather/Perforated)
- ★ Included in Cold Weather Package
- Included in Technology Package
- ▲ Included in Rear Climate Package

<sup>1</sup> Availability delayed until spring 2007 production.



## Standard/Optional Equipment

### AUTO SPIES



	3.0si	4.8i
<b>Safety and security</b>		
Dual front-impact airbag Supplementary Restraint System (SRS) with dual-threshold and dual-stage deployment	●	●
3-point safety belts and head restraints at all seating positions	●	●
Front safety belts with automatic pretensioners and force limiters	●	●
Front- and rear-compartment Head Protection System (HPS) with front side-impact airbags	●	●
Roll-over sensor that triggers airbags and safety-belt pretensioners in the event of a roll-over	●	●
Steering column telescopic system	●	●
Adaptive Brake Lights	●	●
Battery Safety Terminal	●	●
Central locking system and Coded Driveway Protection	●	●
Alarm system with keyhead remote operation interior motion detector	●	●
BMW Assist™ with Bluetooth® wireless technology for hands-free calling (with Bluetooth enabled mobile phone), with phonebook downloading and speech recognition capabilities	○/◇	○/◇
<b>BMW Services</b>		
BMW Ultimate Service™	●	●



- Standard
- Optional
- Included in Sport Package
- ◇ Included in Premium Package
- ◆ Included in Active Ventilated Seat Package (must be ordered with optional Nevada Leather/Perforated)
- ★ Included in Cold Weather Package
- Included in Technology Package
- ▲ Included in Rear Climate Package

## Optional Packages

### AUTO SPIES



	3.0si	4.8i
<b>ZAV – Active Ventilated Seat Package<sup>1</sup></b>		
20-way power multi-contour front seats <sup>2</sup> – include standard 10-way power seat functions, plus additional power adjustment functions for shoulder and thigh support, backrest width and lumbar support (contour and position), plus 2-way manual lateral adjustment for Comfort headrest	○/◆	○/◆
Active seat for driver	◆	◆
Front ventilated seats (requires Nevada Leather/Perforated)	◆	◆
<b>ZCW – Cold Weather Package</b>	<b>3.0si</b>	<b>4.8i</b>
3-stage heated front seats	○/★	○/★
Heated steering wheel	★	★
Retractable, high-intensity headlight washers	★	★
Ski bag	★	★
<b>ZTP – Technology Package</b>	<b>3.0si</b>	<b>4.8i</b>
On-board DVD-based navigation system with Voice Activation and Real Time Traffic Information	○/■	○/■
Park Distance Control (front and rear)	○/■	○/■
Rear-view camera	■	■
<b>ZPS – Premium Sound Package</b>	<b>3.0si</b>	<b>4.8i</b>
Premium high-fidelity 16-speaker sound system with Digital Sound Processing (DSP), 2 subwoofers under the front seats and digital 9-channel amplifier with 600 watts of power	△	△
6-disc CD changer with MP3 capabilities	△	△

- Standard
- Optional
- ◆ Included in Active Ventilated Seat Package<sup>1</sup>
- ★ Included in Cold Weather Package
- Included in Technology Package
- △ Included in Premium Sound Package
- ◇ Included in Premium Package
- ▲ Included in Rear Climate Package
- Included in Sport Package

<sup>1</sup> Requires Nevada Leather/Perforated, and must be ordered with Cold Weather Package or optional heated front seats; not available with Leatherette upholstery.

<sup>2</sup> Not available with Leatherette.

<sup>3</sup> Must be ordered with Active Ventilated Seat Package.

<sup>4</sup> No-cost option if Premium Package is ordered.

<sup>5</sup> No-cost option.

	3.0si	4.8i
<b>ZPP – Premium Package</b>		
Nevada Leather	○/◇	●
Nevada Leather/Perforated <sup>3</sup>	○ <sup>4</sup>	○ <sup>5</sup>
Lumbar support	◇	◇
Dark Burl Walnut Wood trim	○/◇	●
Light Poplar Wood trim	○/◇ <sup>4</sup>	○ <sup>5</sup>
Dark Bamboo Wood trim	○/◇ <sup>4</sup>	○ <sup>5</sup>
Panoramic moonroof with 2-piece glass panels, power slide and lift control, wind deflector and electric interior sunshade	○/◇	○/◇
Automatic-dimming rear-view mirror with digital-readout compass and automatic-dimming, power-folding side-view mirrors	◇	◇
BMW Universal transceiver (garage-door opener)	◇	◇
Storage package, including floor tracks in rear cargo area	◇	◇
BMW Assist™ with Bluetooth® wireless technology for hands-free calling (with Bluetooth enabled mobile phone), with phonebook downloading and speech recognition capabilities	○/◇	○/◇



## Optional Packages

### AUTO SPIES



	3.0si	4.8i
<b>ZRC – Rear Climate Package</b>		
4-zone climate control with 4 individual temperature settings	▲	▲
Privacy glass in rear windows	▲	▲
Rear side-window manual sunshades	▲	▲
<b>ZSP – Sport Package<sup>1</sup></b>		
19 x 9.0 Star Spoke (Style 212) light-alloy wheels, and 255/55R-19 run-flat all-season tires	□	
19 x 9.0 Y Spoke (Style 211) light-alloy wheels, and 255/55R-19 run-flat all-season tires		□
20 x 10.0 front / 20 x 11.0 rear Y Spoke (Style 214) light-alloy wheels, and 275/40R-20 front, 315/35R-20 rear run-flat performance tires <sup>2</sup>		○ <sup>3</sup>
10-way power front sport seats with 2-way manual thigh support adjustment, and memory system for driver's seat, steering wheel and outside mirrors	□	□
3-spoke power tilt/telescopic leather-wrapped multi-function sport steering wheel	□	□
Adaptive Drive: includes Active Roll Stabilization and Electronic Dampening Control	□	□
Anthracite headliner	□	□
Shadowline trim	□	□



- Standard
- Optional
- ◆ Included in Active Ventilated Seat Package
- ★ Included in Cold Weather Package
- Included in Technology Package
- △ Included in Premium Sound Package
- ◇ Included in Premium Package
- ▲ Included in Rear Climate Package
- Included in Sport Package

<sup>1</sup> Not available with Leatherette.

<sup>2</sup> Due to low profile tires, please note: wheels, tires, and suspension parts are more susceptible to road hazard and consequential damage. Performance tires not recommended for driving in snow and ice conditions.

<sup>3</sup> Requires Sport Package.

## Stand-alone Options

### AUTO SPIES



#### Optional equipment listing

		3.0si	4.8i			3.0si	4.8i
217	Active Steering with Servotronic power assist <sup>1</sup>	○	○	4AB	Dark Burl Walnut Wood trim	○/◇	●
2LE	20" wheels with performance tires		○ <sup>1</sup>	4BP	Light Poplar Wood trim	○/◇ <sup>6</sup>	○ <sup>7</sup>
316	Automatic tailgate opening/closing <sup>2</sup>	○	○	4AZ	Dark Bamboo Wood trim	○/◇ <sup>6</sup>	○ <sup>7</sup>
322	Comfort Access keyless entry	○	○	4UB	3rd-row rear seat (not available with space saver spare tire) <sup>3</sup>	○	○
328	Running boards	○	○	508	Park Distance Control (front and rear)	○/■	○/■
402	Panoramic moonroof with 2-piece glass panels, power slide and lift control, wind deflector and electric interior sunshade	○/◇	○/◇	609	On-board DVD-based navigation system with Voice Activation and Real Time Traffic Information	○/■	○/■
456	20-way power multi-contour front seats <sup>3</sup> – include standard 10-way power seat functions, plus additional power adjustment functions for shoulder and thigh support, backrest width and lumbar support (contour and position), plus 2-way manual lateral adjustment for Comfort headrest	○/◆	○/◆	610	Head-up Display (HUD) <sup>9</sup>	○	○
494	3-stage heated front seats	○/★	○/★	639	BMW Assist™ with Bluetooth® wireless technology for hands-free calling (with Bluetooth enabled mobile phone), with phonebook downloading and speech recognition capabilities	○/◇	○/◇
496	Heated rear seats <sup>4</sup>	○	○	653	High Definition radio (HD Radio™) <sup>2</sup>	○	○
LU_ _	Nevada Leather	○/◇	●	655	SIRIUS Satellite Radio	○	○
LV_ _	Nevada Leather/Perforated <sup>5</sup>	○ <sup>6</sup>	○ <sup>7</sup>	6FF	Rear-seat entertainment	○	○
NA_ _	Napa Leather	○	○				

- Standard
- Optional
- ◆ Included in Active Ventilated Seat Package<sup>4</sup>
- ★ Included in Cold Weather Package
- Included in Technology Package
- △ Included in Premium Sound Package
- ◇ Included in Premium Package
- ▲ Included in Rear Climate Package
- Included in Sport Package

<sup>1</sup> Requires Sport Package.

<sup>2</sup> Availability delayed until spring 2007 production.

<sup>3</sup> Not available with Leatherette.

<sup>4</sup> Must be ordered with Cold Weather Package or optional heated front seats; not available with Leatherette upholstery.

<sup>5</sup> Must be ordered with Active Ventilated Seat Package.

<sup>6</sup> No-cost option if Premium Package is ordered.

<sup>7</sup> No-cost option.

<sup>8</sup> 3rd-row seat upholstered in Nevada Leather, regardless of primary upholstery selected.

<sup>9</sup> On-board navigation system required; green band windshield not available with Head-up Display.

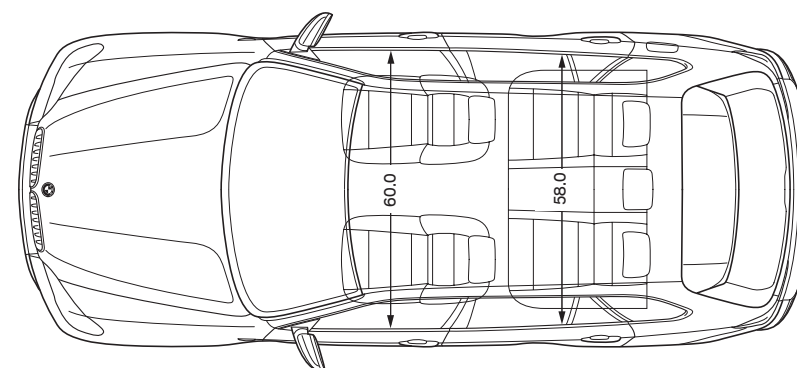
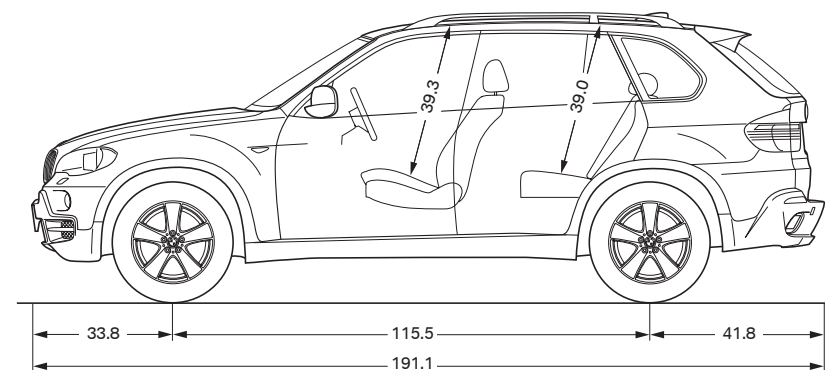
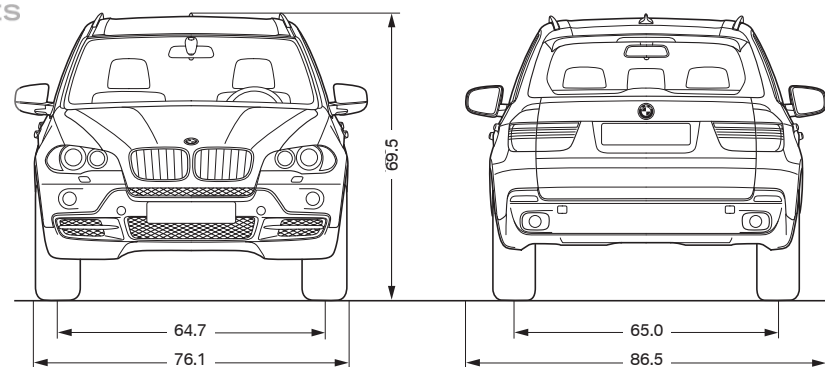


## Technical Data

AUTO SPIES



Weight		3.0si	4.8i
Unladen	lbs	4982	5335
Weight distribution, front/rear	%	47.6/52.4	49.6/50.4
Engine		3.0si	4.8i
Liter/type/valves per cylinder		3.0/inline 6/4	4.8/V-8/4
Bore/stroke	inch	3.35/3.46	3.66/3.48
Nominal output/rpm	hp	260/6600	350/6300
Maximum torque/rpm	lb-ft	225/2750	350/3400-3800
Compression ratio	:1	10.7	10.5
Fuel grade		Unleaded premium	Unleaded premium
Approximate tank capacity	gal	22.5	22.5
Transmission		3.0si	4.8i
Automatic gear ratios	I/II/III	:1 4.17/2.34/1.52	4.17/2.34/1.52
	IV/V/VI	:1 1.14/0.87/0.69	1.14/0.87/0.69
Reverse gear ratio	:1	3.40	3.40
Final drive ratio	:1	4.44	3.91
Performance		3.0si	4.8i
Drag coefficient	C <sub>d</sub>	0.34	0.35
Top speed <sup>1</sup>	mph	130	130 [150 <sup>2</sup> ]
Acceleration 0-60 mph <sup>3</sup>		7.8	6.4
Fuel consumption <sup>4</sup>		3.0si	4.8i
City/Highway	mpg	TBD <sup>5</sup>	TBD <sup>5</sup>
Tires and wheels		3.0si	4.8i
Tire dimensions		255/55R-18	255/55R-18
Wheel dimensions		18 x 8.5	18 x 8.5
Material		light-alloy	light-alloy



All dimensions are shown in inches.

<sup>1</sup> Top speed limited electronically.

<sup>2</sup> Top speed with 20" optional wheels.

<sup>3</sup> BMW AG test results. Actual acceleration results may vary, depending on specification of vehicle; road and environmental conditions; testing procedures and driving style. These results should be used for comparison only and verification should not be attempted on public roads. BMW urges you to obey all posted speed laws and always wear safety belts.

<sup>4</sup> EPA-estimated figures are for comparison purposes only. Your actual mileage will vary, depending on speed, driving habits, trip length and driving conditions; actual mileage may be lower.

<sup>5</sup> Fuel consumption figures not available at time of printing. Please go to [bmwusa.com](http://bmwusa.com) for further information.

# bimmerfest

Bringing the BMW community together

AUTO SPIES

U.S. Distributor: BMW of North America, LLC, Woodcliff Lake, NJ 07677. All illustrations and specifications contained in this brochure are based on the latest product information available at the time of printing. BMW reserves the right to make changes at any time, without notice, in colors, materials, equipment, specifications and models. BMW may, subject to legal requirements, determine the Model Year designation of its vehicles. The Model Year designation on any particular model may be longer or shorter than 12 months. Some vehicles pictured may contain non-U.S. equipment. Some models may be shown with optional equipment. While BMW NA makes all diligent efforts to provide accurate information in this brochure, there is no guarantee or warranty of accuracy. Furthermore, we do not assume any liability for the accuracy or completeness of information presented. Further information can be obtained from [bmwusa.com](http://bmwusa.com). ©2006 BMW of North America, LLC. Not to be reproduced wholly or in part without written permission from BMW of North America. The BMW name and logo are registered trademarks. The Bluetooth word mark and logos are owned by the Bluetooth SIG, Inc. and use of such marks by BMW is under license. Other trademarks and trade names are those of their respective owners.

More about BMW

[bmwusa.com](http://bmwusa.com)  
1-800-334-4BMW



The Ultimate  
Driving Machine®



X5 4.8i is shown with optional running boards, Sport Package, and optional wheel style 214.